

SERIES "PC"

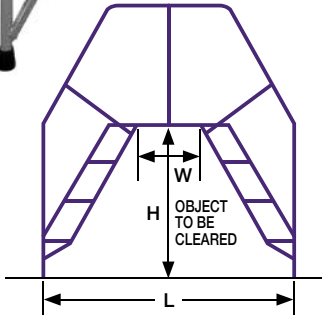
Portable Crossover Ladders

Portable steel crossovers are easily moved from place to place.

- 350 lb. load rating.
- 50° climb angle.
- 1" diameter steel tubing with 24" wide treads.
- Rugged one-piece welded-steel construction.
- Rubber tips on all four legs.
- Series PC ladders meet applicable OSHA and ANSI standards.



6PC36A3
(WITH 36" PLATFORM)



SERIES PC MODEL NUMBERS & MEASUREMENTS



NO. STEPS INCLUDING PLATFORM	TOP STEP HEIGHT	OVERALL HEIGHT	WORKING HEIGHT (approx.)	24" TREAD WIDTH					
				MODEL NUMBER	BASE WIDTH	BASE LENGTH (L)	CLEAR HEIGHT (H)	CLEAR WIDTH (W)	WEIGHT LBS.
3 STEP / 24" PLATFORM	30"	60"	96"	3PC24	30"	58"	28"	10"	111
3 STEP / 36" PLATFORM	30"	60"	96"	3PC36	30"	69"	28"	22"	123
3 STEP / 48" PLATFORM	30"	60"	96"	3PC48	30"	82"	28"	32"	156
4 STEP / 24" PLATFORM	40"	70"	106"	4PC24	30"	76"	38"	10"	157
4 STEP / 36" PLATFORM	40"	70"	106"	4PC36	30"	87"	38"	22"	170
4 STEP / 48" PLATFORM	40"	70"	106"	4PC48	30"	100"	38"	32"	207
5 STEP / 24" PLATFORM	50"	80"	116"	5PC24	30"	93"	48"	10"	172
5 STEP / 36" PLATFORM	50"	80"	116"	5PC36	30"	104"	48"	22"	210
5 STEP / 48" PLATFORM	50"	80"	116"	5PC48	30"	116"	48"	32"	240
5 STEP / 60" PLATFORM	50"	80"	116"	5PC60	30"	128"	48"	46"	273
6 STEP / 24" PLATFORM	60"	90"	126"	6PC24	30"	110"	58"	10"	225
6 STEP / 36" PLATFORM	60"	90"	126"	6PC36	30"	121"	58"	22"	237
6 STEP / 48" PLATFORM	60"	90"	126"	6PC48	30"	134"	58"	32"	274
6 STEP / 60" PLATFORM	60"	90"	126"	6PC60	30"	146"	58"	46"	307



FOLD UP STEP

- 350-lb. load rating.
- Gray Powder-coated finish.

Mount easily and allow a quick step up. Easily fold into a vertical position when not in use. Includes two 9/16" mounting holes. Fasteners not included.

Fold Up Step MODEL NUMBERS & MEASUREMENTS

LOAD RATING
350 LBS.



DESCRIPTION	MATERIAL	MODEL NO.
MANUAL FOLD-UP STEP, 15" L, 4" H	STEEL	FUS-100
SPRING-LOADED FOLD-UP STEP, 15" L, 4" H	STEEL	FUS-101