

FIXED STEEL LADDERS

SIDE-STEP AND WALK-THRU
**WELDED STEEL
DOCK LADDERS**

SEE PAGE 4

NEW!
MODULAR SERIES M
• Easier to Install
• Reduces Freight Damage



NOW

- **FOUR MANUFACTURING LOCATIONS TO SERVE YOU CALIFORNIA, MICHIGAN, GEORGIA AND TEXAS**
- **8 A.M. - 5 P.M., MON. THRU FRI.**
(eastern standard time)
- **810-679-4400 • FAX 810-679-4510**
- **TOLL FREE 800-5-LADDER**

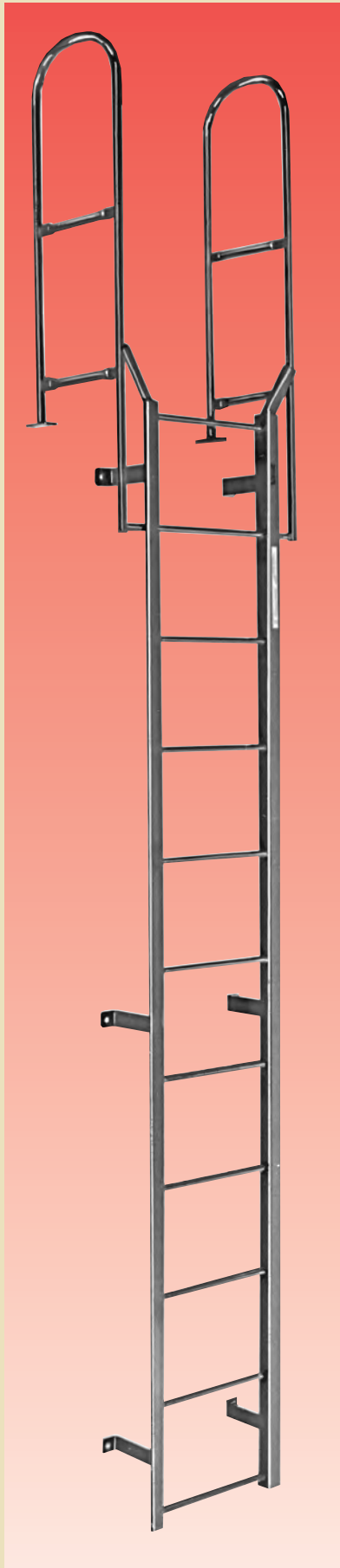


Cotterman Co.

Division of Material Control, Inc.

P.O. BOX 168
130 SELTZER RD.
CROSWELL, MI 48422

www.cotterman.com
info@cotterman.com



FIXED STEEL LADDERS – SERIES F AND SERIES M



Cotterman fixed steel ladders are designed for use where safe, solid vertical climbing access is required. Series F and Series M modular fixed steel ladders are available with and without walk-thru handrails at the top landing surface. Standard fixed and walk-thru models can be used up to 20' without safety cages. OSHA requires safety cages on ladder heights exceeding 20'. Separate cages are offered for updating older ladders to current safety standards. All Cotterman fixed ladders meet or exceed ANSI A14.3, OSHA 1910.27 and 1926.1053 standards.

SERIES F FIXED LADDERS: Ladders are heavy duty welded assemblies.

SERIES M MODULAR FIXED LADDERS: Ladders are heavy duty sub-assemblies, no section is greater than 7' in length.

CONSTRUCTION FEATURES:

- Side members are 1/4"x2"x2" steel angle. Climbing rungs are 3/4" corrugated steel round rungs space on 12" centers. Stand-off brackets are 7".
- Gray powder coat finish is standard color, yellow available.

FIXED LADDERS WITH SAFETY CAGES:

Standard fixed steel ladders are combined with safety cage protection. They are available in 10' through 29' sizes and are ideal for hatch-way or side step landing access.

CAGE FEATURES:

- OSHA design safety cages have flared bottom opening for easy entry.
- Left or right side step access cage designs are available at no charge.
- Cage begins 7' from bottom of ladder.
- Gray powder coat finish, yellow available.

FIXED LADDER WITH WALK-THRU HANDRAILS:

Ladders are designed for applications where safe landing access is required. They are one-piece welded assemblies for use in applications less than 20' in vertical height.

CONSTRUCTION FEATURES:

- Side members are 1/4"x2"x2" steel angle. 3/4" corrugated steel round climbing rungs on 12" centers. Stand-off mounting brackets are 7".
- Walk-thru handrails extend 42" above landing surface. Mounting brackets included.
- Welded one-piece, gray powder coat finish, yellow available.

FIXED LADDER WITH WALK-THRU HANDRAILS AND SAFETY CAGES:

Designed for safe landing access and available from 10' to 29'. Cages and walk-thru handrails extend 42" above landing surface.

CAGE FEATURES:

- Safety cages are designed to OSHA specifications with flared bottom opening for easy entry.
- Cage begins 7' from bottom of ladder.
- Gray powder coat finish, yellow available.



14 RUNG STANDARD F14S



14 RUNG WITH CAGE F14SC

SPECIFICATIONS			STANDARD			WITH CAGE			
OVERALL LENGTH	LENGTH: TOP TO BOTTOM RUNG	NO. RUNGS	SERIES "F" MODEL NO.	SHPG. WT.	PRICE	SERIES "M" MODEL NO.	SERIES "F" MODEL NO.	SHPG. WT.	PRICE
3'3"	3'	4	F4S	35					
4'3"	4'	5	F5S	43					
5'3"	5'	6	F6S	52					
6'3"	6'	7	F7S	60					
7'3"	7'	8	F8S	68					
8'8"	8'	9	F9S	77					
9'3"	9'	10	F10S	88					
10'3"	10'	11	F11S	96		M11SC	F11SC	156	
11'3"	11'	12	F12S	105		M12SC	F12SC	182	
12'3"	12'	13	F13S	113		M13SC	F13SC	197	
13'3"	13'	14	F14S	122		M14SC	F14SC	213	
14'3"	14'	15	F15S	130		M15SC	F15SC	268	
15'3"	15'	16	F16S	139		M16SC	F16SC	282	
16'3"	16'	17	F17S	150		M17SC	F17SC	298	
17'3"	17'	18	F18S	158		M18SC	F18SC	316	
18'3"	18'	19	F19S	167		M19SC	F19SC	342	
19'3"	19'	20	F20S	175		M20SC	F20SC	357	
20'3"	20'	21	-	-		M21SC	F21SC	373	
21'3"	21'	22				M22SC	F22SC	388	
22'3"	22'	23				M23SC	F23SC	414	
23'3"	23'	24				M24SC	F24SC	429	
24'3"	24'	25				M25SC	F25SC	444	
25'3"	25'	26				M26SC	F26SC	471	
26'3"	26'	27				M27SC	F27SC	486	
27'3"	27'	28				M28SC	F28SC	501	
28'3"	28'	29				M29SC	F29SC	559	
29'3"	29'	30				M30SC	F30SC	575	

OSHA NOTE: Although not required by OSHA, safety caging is offered on 11 thru 20 rung models.

OSHA NOTE: Fixed ladder heights exceeding 20' are required to have safety caging.

OSHA NOTE: Heights exceeding 30' require a standoff platform (see option model SP)

SHIPPING NOTE: All 15 thru 28 rung Series F models with cages ship in 2 sections. All 29 and 30 rung models ship in 3 sections.

HOT DIP GALVANIZED FINISH OR STAINLESS STEEL CONSTRUCTION CAN BE QUOTED.

SPECIFICATIONS			WALK-THRU RAIL			WITH WALK THRU & CAGE			
OVERALL LENGTH	LENGTH: TOP TO BOTTOM RUNG	NO. RUNGS	SERIES "F" MODEL NO.	SHPG. WT.	PRICE	SERIES "M" MODEL NO.	SERIES "F" MODEL NO.	SHPG. WT.	PRICE
6'8"	3'	4	F4W	61					
7'8"	4'	5	F5W	70					
8'8"	5'	6	F6W	78					
9'8"	6'	7	F7W	87					
10'8"	7'	8	F8W	95			F8WC	167	
11'8"	8'	9	F9W	104			F9WC	194	
12'8"	9'	10	F10W	115			F10WC	211	
13'8"	10'	11	F11W	123		M11WC	F11WC	226	
14'8"	11'	12	F12W	132		M12WC	F12WC	242	
15'8"	12'	13	F13W	140		M13WC	F13WC	268	
16'8"	13'	14	F14W	148		M14WC	F14WC	284	
17'8"	14'	15	F15W	157		M15WC	F15WC	327	
18'8"	15'	16	F16W	165		M16WC	F16WC	353	
19'8"	16'	17	F17W	176		M17WC	F17WC	369	
20'8"	17'	18	F18W	185		M18WC	F18WC	384	
21'8"	18'	19	F19W	193		M19WC	F19WC	401	
22'8"	19'	20	F20W	202		M20WC	F20WC	428	
23'8"	20'	21	-	-		M21WC	F21WC	443	
24'8"	21'	22				M22WC	F22WC	458	
25'8"	22'	23				M23WC	F23WC	485	
26'8"	23'	24				M24WC	F24WC	500	
27'8"	24'	25				M25WC	F25WC	515	
28'8"	25'	26				M26WC	F26WC	571	
29'8"	26'	27				M27WC	F27WC	586	
30'8"	27'	28				M28WC	F28WC	601	
31'8"	28'	29				M29WC	F29WC	619	
32'8"	29'	30				M30WC	F30WC	634	

OSHA NOTE: Fixed ladder heights exceeding 20' are required to have safety caging.

OSHA NOTE: Heights exceeding 30' require a standoff platform (see option model SP)

SHIPPING NOTE: All 15 thru 25 rung Series F models with cages ship in 2 sections. All 26 thru 30 rung models ship in 3 sections.

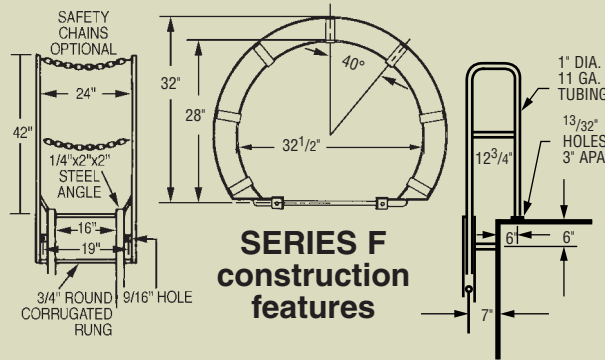
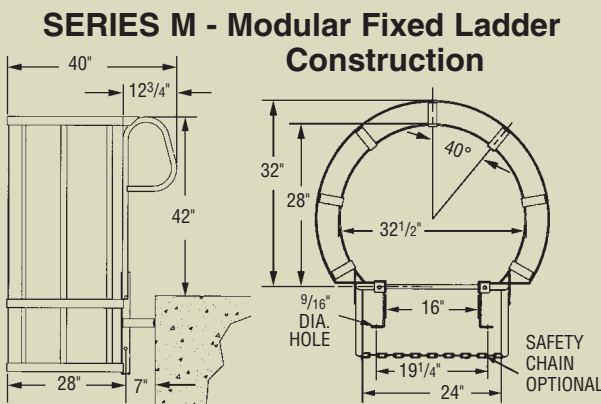
HOT DIP GALVANIZED FINISH OR STAINLESS STEEL CONSTRUCTION CAN BE QUOTED.



11 RUNG WITH WALK-THRU F11W

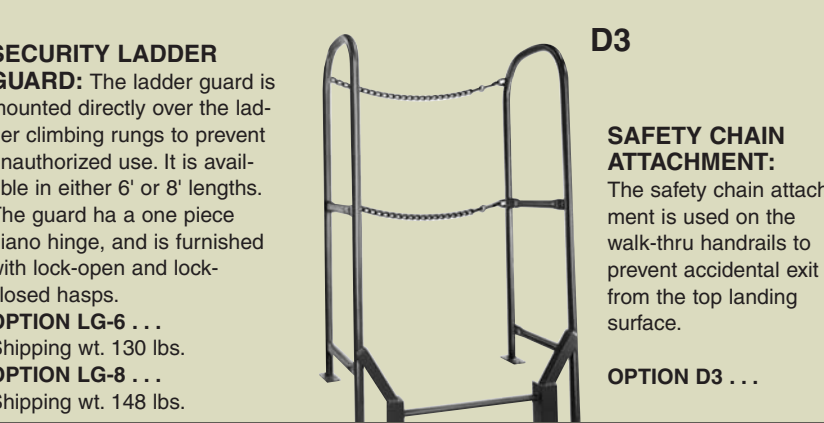


11 RUNG WITH WALK-THRU AND CAGE: F11WC



ACCESSORIES

Cotterman fixed steel ladder accessories are designed to provide an additional measure of safety or security for any fixed steel ladder.



Cotterman®



"CHARGE IT"

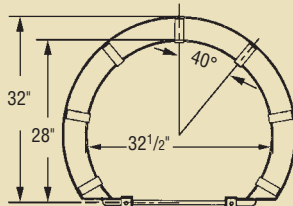
COTTERMAN SERIES C WELDED STEEL CAGES are one-piece welded assemblies designed for attachment to existing fixed ladders up to 20" wide. A wide range of standard lengths is offered with custom sizes available. To determine the proper length, the cage should begin 7' to 8' from the floor and extend 42" above the landing surface (except for hatchways).

FEATURES:

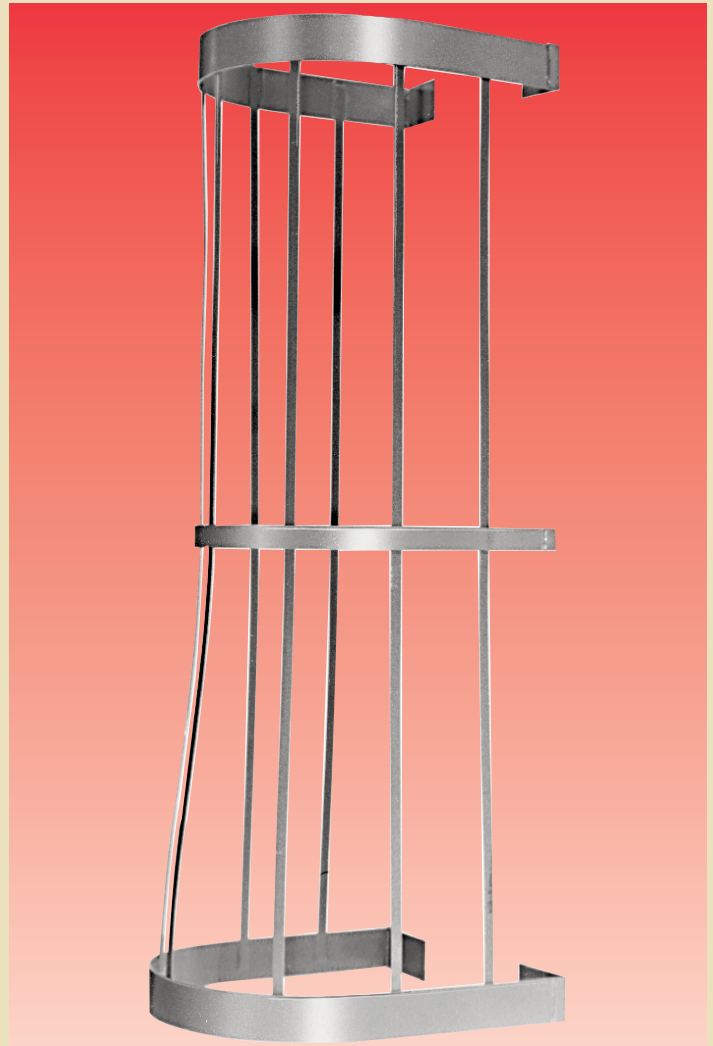
- Series C cages are designed in compliance with OSHA Standards 1910.27
- Standard cage lengths are available from 7'6" to 27'6".
- Cages are crated for shipping protection.
- Wider bottom flare openings are provided for easy entry.
- One-piece all welded steel with gray powder coat finish.
- Hot dip galvanized finish or stainless steel construction can be quoted.

SERIES C WELDED STEEL CAGES

LENGTH	MODEL	SHPG.	PRICE
7'6"	C075	229	
8'6"	C085	255	
9'6"	C095	291	
10'6"	C105	316	
11'6"	C115	340	
12'6"	C125	365	
13'6"	C135	401	
14'6"	C145	426	
15'6"	C155	451	
16'6"	C165	476	
17'6"	C175	512	
18'6"	C185	536	
19'6"	C195	561	
20'6"	C205	586	
21'6"	C215	622	
22'6"	C225	646	
23'6"	C235	671	
24'6"	C245	696	
25'6"	C255	732	
26'6"	C265	756	
27'6"	C275	781	



©COPYRIGHT COTTERMAN CO. 1986



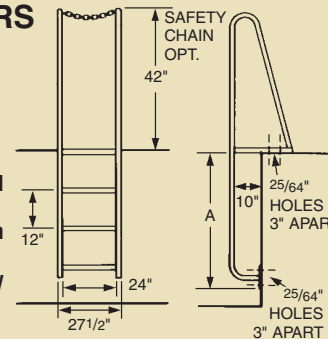
**SIDE-STEP
7 RUNG - D3SS**

WELDED STEEL DOCK LADDERS

One-piece welded assemblies that provide safe access to docks and mezzanines. Walk-thru models have 42" high handrails. Side step models have step rungs plus 4 additional hand rungs.

FEATURES:

- Constructed of 1 1/4" tube with 3/4" non-slip solid round rungs.
- 18" wide steps on side step models and 24" on walk-thru models, spaced on 12" centers.
- Walk-thru models have flat supports for easy mounting.
- Gray powder coat is standard finish.



SERIES D

NO. STEP RUNGS	TOTAL RUNGS	DIM. B	SHPG. WT.	MODEL NO.	PRICE
2	6	6'	33	D2SS	
3	7	7'	38	D3SS	
4	8	8'	42	D4SS	
5	9	9'	47	D5SS	
6	10	10'	51	D6SS	
7	11	11'	56	D7SS	
8	12	12'	61	D8SS	
9	13	13'	65	D9SS	
10	14	14'	70	D10SS	

NO. STEP RUNGS	DIM. A	SHPG. WT.	MODEL NO.	PRICE
2	1'6"	34	D2WT	
3	2'6"	39	D3WT	
4	3'6"	45	D4WT	
5	4'6"	50	D5WT	
6	5'6"	55	D6WT	
7	6'6"	61	D7WT	
8	7'6"	66	D8WT	
9	8'6"	71	D9WT	
10	9'6"	77	D10WT	

**WALK-THRU
4 RUNG - D4WT**